

DESCRIPTIONS

The Medium Security Access Door is manufactured with heavy-duty materials to prevent unwanted access to critical building components. The optional masonry anchors can be specified allowing this panel to be installed in any wall condition.

FEATURES

- Secure Door
- Solid Hinge
- Custom Sizing

SPECIFICATIONS

DOOR: 12 Gauge Steel

FRAME: 12 Gauge Steel

SIZE:

Min: 8 inches by 8 inches
Max: 36 inches by 48 inches

INSTALLATION: Wall

FLANGE: 1 inch Exposed, Drywall Bead or Plaster Bead

HINGE: Concealed Continuous Piano

FINISH: White Powder Coat

WARRANTY: 1 year

OPTIONS: Flanges, Latches, and Materials



SKU: **N MPP**

PLASTER BEAD MEDIUM SECURITY ACCESS DOOR

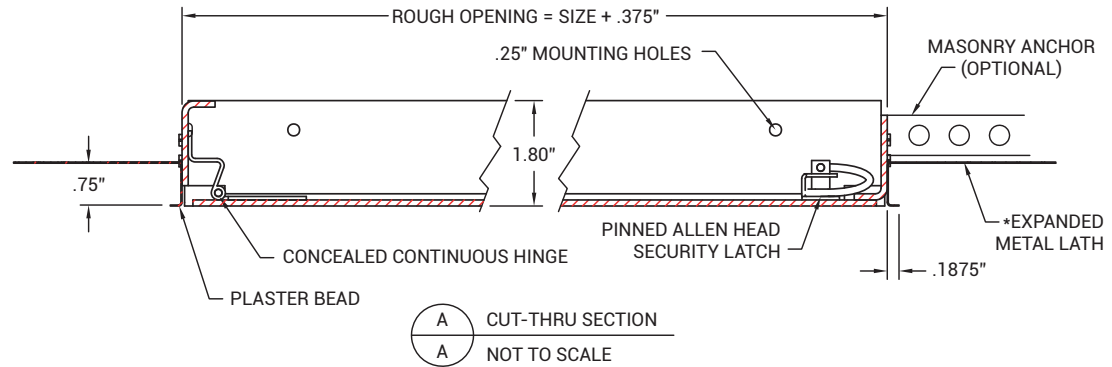
DIMENSIONS AND APPEARANCE

>> CLICK TO VIEW ADDITIONAL DETAILS AND PRICING <<

ORDER GUIDE:

BASE	DOOR SHAPE	LATCH	WIDTH	X	LENGTH	OPTIONS
M						
	T - 1 inch Flange W - Drywall Bead P - Plaster Bead	M - Mortise Lock Prep (1-1/8") P - Pinned Allen Head Cam Latch(es) S - Pinned Allen Head Security Screw(s) D - Detention Lock	STANDARD SIZES (W X L)			B - Galvanized G - Gasketing M - Masonry Anchors S - Type 304 Stainless Steel
			8" X 9"	18" X 18"	24" X 36"	
			10" X 10"	18" X 24"	24" X 48"	
			12" X 12"	20" X 30"	30" X 30"	
			12" X 18"	22" X 22"	30" X 36"	
			12" X 24"	22" X 30"	32" X 32"	
			14" X 14"	24" X 24"	36" X 36"	
			16" X 16"	24" X 30"	36" X 48"	
			16" X 20"			

Rough opening is door size + 6 inches. | Additional sizes available, call for more information.



For detailed specifications see submittal sheet

For a complete list of options visit www.AccessDoorsAndPanels.com

PROJECT DATA

Custom Sizes Available - Fast!

PROJECT NAME :	QTY	W	H	OPTIONS
ARCHITECT :				
DEALER :				
CONTRACTOR :				
LOCATION :	SPECIAL INSTRUCTIONS :			
DATE :				
TAGGING INSTRUCTIONS :	SUBMITTAL APPROVAL : (signature or stamp)			

Scan or Click



To view Pricing and Additional Product Info.

TELEPHONE:
1-888-457-1275
FAX:
1-888-626-2907



PO BOX 66738 #76520,
SAINT LOUIS, MO
63166-6738
USA



WEBSITE:
www.AccessDoorsAndPanels.com
E-MAIL:
info@AccessDoorsAndPanels.com

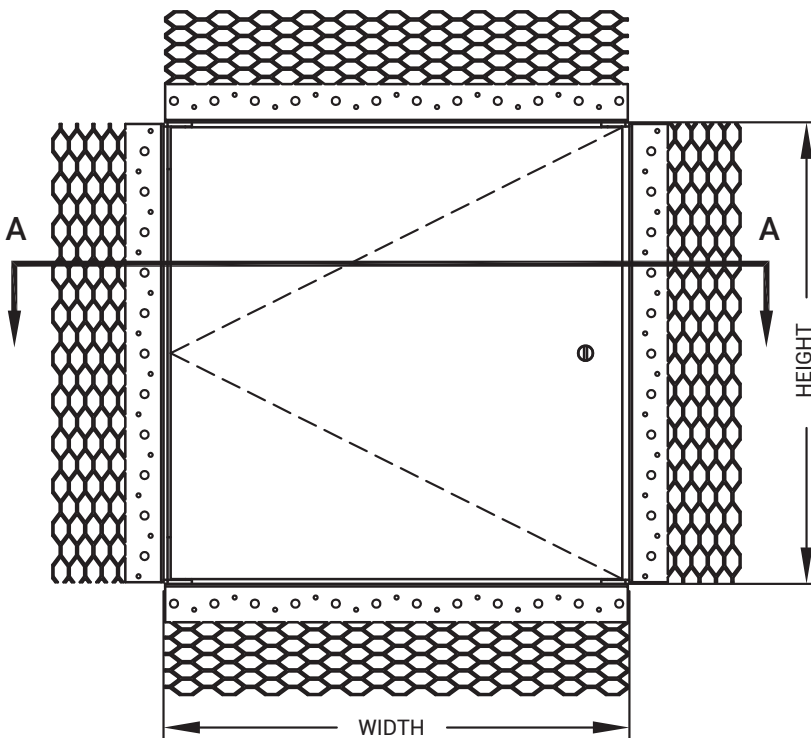


N MPP

PLASTER BEAD FLANGE MEDIUM SECURITY ACCESS DOOR

STD SIZES (IN)	STD SIZES (MM)	WEIGHT/LATCHES	STD SIZES (IN)	STD SIZES (MM)	WEIGHT/LATCHES
06 x 06 *	152 x 152	18/1	20 x 30	508 x 762	56/3
08 x 08	203 x 203	20/1	22 x 22	559 x 559	49/2
10 x 10	254 x 254	23/1	22 x 30	559 x 762	58/3
12 x 12	305 x 305	24/1	24 x 24	610 x 610	52/4
12 x 18	305 x 457	30/1	24 x 30	610 x 762	60/5
12 x 24	305 x 610	35/2	24 x 36	610 x 914	68/5
14 x 14	356 x 356	26/1	24 x 48	610 x 1219	94/5
16 x 16	406 x 406	32/1	30 x 30	762 x 762	70/5
16 x 20	406 x 508	36/2	32 x 32	813 x 813	76/5
18 x 18	457 x 457	36/2	36 x 36	914 x 914	95/6
18 x 24	457 x 610	48/2	36 x 48	914 x 1219	123/6

• Sizes specified have only cam style latching options.
All units are hinged on the second dimension (height). Rough opening is door size plus 3/8".



FRONT ELEVATION
NOT TO SCALE

SPECIFICATION:

- 12 GAUGE COLD ROLLED STEEL FRAME
- 12 GAUGE COLD ROLLED STEEL DOOR
- 22 GAUGE GALVANIZED STEEL PLASTER
- BEAD WITH EXPANDED LATH *SEE NOTE BELOW
- WHITE BAKED ON POWDER COAT FINISH
- CONCEALED CONTINUOUS HINGE
- FRAMES ARE PROVIDED WITH .25" MOUNTING HOLES
- PINNED ALLEN HEAD SECURITY CAM LATCH (ADDITIONAL CAMS PROVIDED ON PANELS 18" X 18" AND GREATER IN SIZE)

OPTIONS:

- GALVANIZED BONDERIZED STEEL
- GASKET
- MASONRY ANCHORS
- STAINLESS STEEL WITH A #4 SATIN POLISH FINISH